



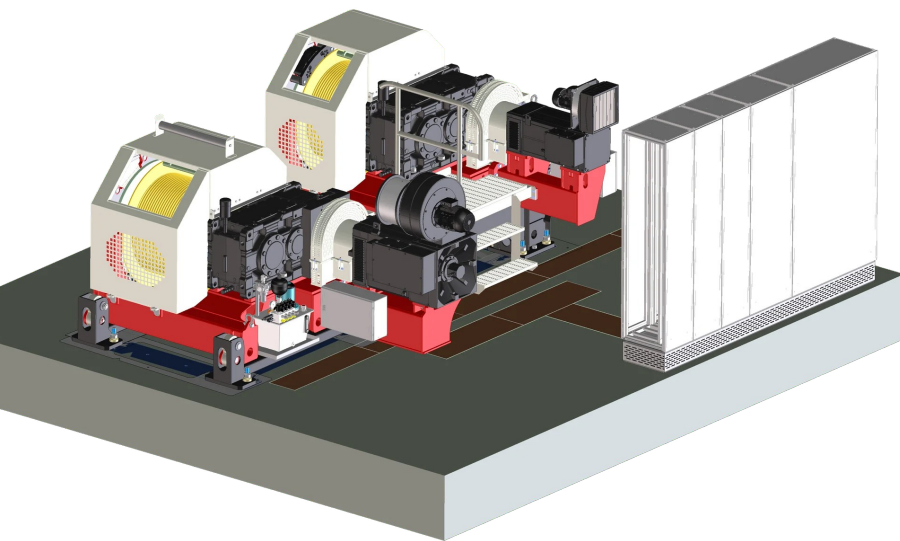
Rope Dragger

**ADD
WINGS
TO YOUR
WORK**





Rope Dragger



KEY STRENGTHS



CONSTRUCTION QUALITY



AUTOMATION



SUSTAINABLE TECH



INNOVATION

Areas of application



**MINING AND EXTRACTIVE
INDUSTRY**

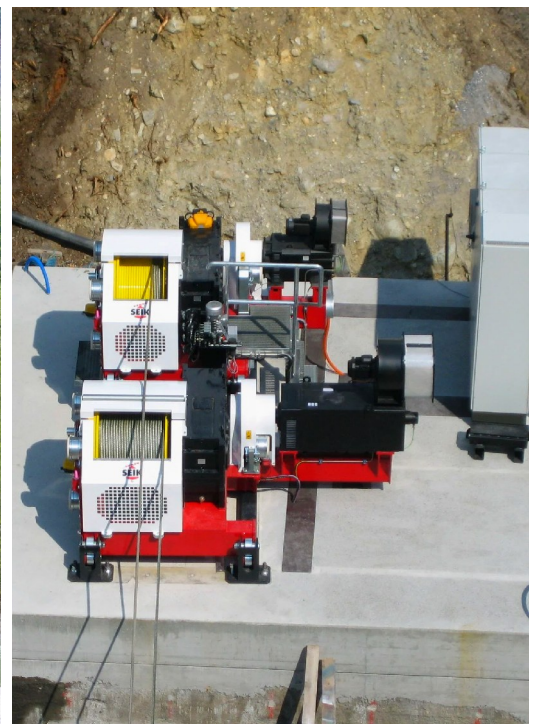
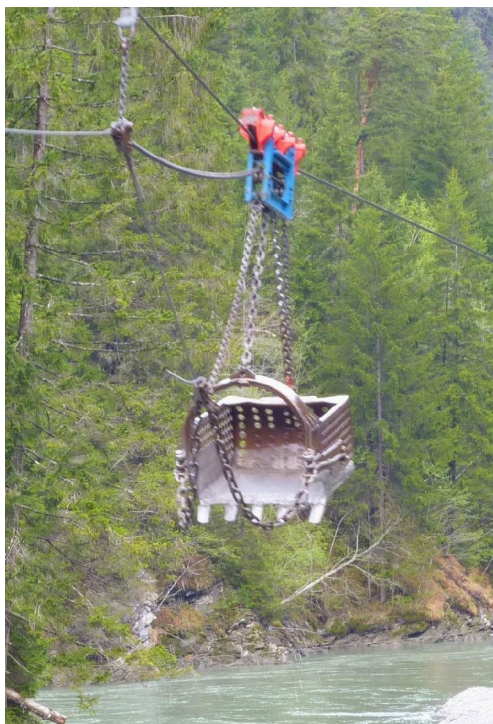
Rope Dragger is a system developed by SEIK specifically designed for the removal and extraction of inert materials.

Fully automated, Rope Dragger ensures continuous, precise, and reliable operation, enabling effective sediment management even in complex or hard-to-access environments.



Rope Dragger

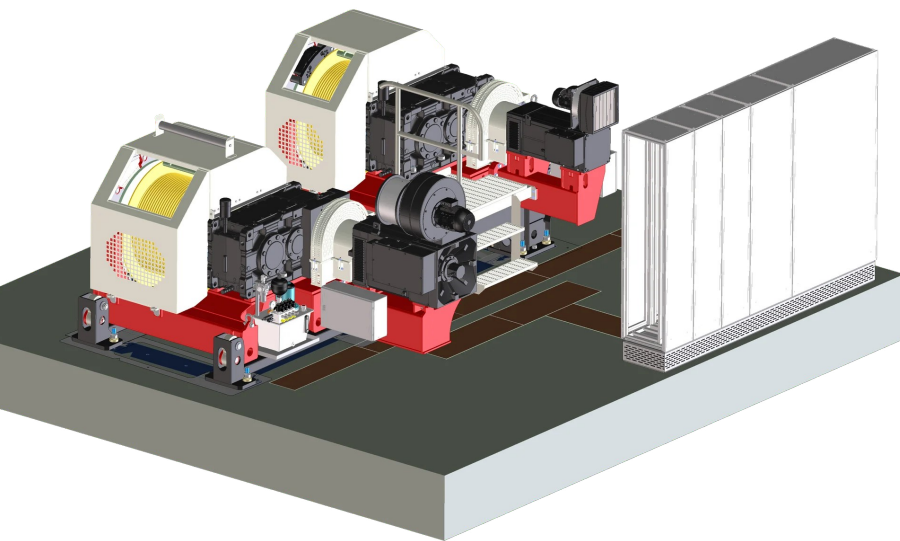
Rope Dragger has been designed for the **removal and extraction of alluvial deposits**, as well as for the **cleaning of basins** from sediments accumulated over time. The solution is particularly suitable for waterways and reservoirs where the **management of alluvial accumulation materials** plays a key role in maintaining hydraulic and environmental efficiency.



The system consists of **two winches** for the coordinated control of the main and traction rope and a **bucket** that is lowered to depth, collects inert material, and transports it to the surface in an **efficient and controlled** manner.



Rope Dragger



KEY STRENGTHS



CONSTRUCTION QUALITY



AUTOMATION



SUSTAINABLE TECH



INNOVATION

LOAD SAFETY

Double braking system (service and parking brake) for maximum operational safety

TENSILE FORCE MEASUREMENT

Two load cells for precise and continuous measurement of rope pulling force

SPOOLING CONTROL

Lebus and spring-loaded rocker with inductive sensor for rope derailment detection

BRAKE MONITORING

Sensors on each brake caliper for condition monitoring

CONTROL SYSTEM

Fully automated system



Rope Dragger



Accessories

Radio remote control



The radio remote control allows the winch to be operated from a distance, as an alternative or complement to the standard control panel. The system provides increased flexibility and operational safety, reduces risks, and optimizes maneuvering efficiency.



Transport by Rope - design, production, sale and rental of ropeways, winches and cable cranes

Seik Srl
Via Dolomiti 46
I - 39040 Trodena (BZ)
Tel. +39 0471 887 087
E-Mail: info@seik.it
www.seik.it

