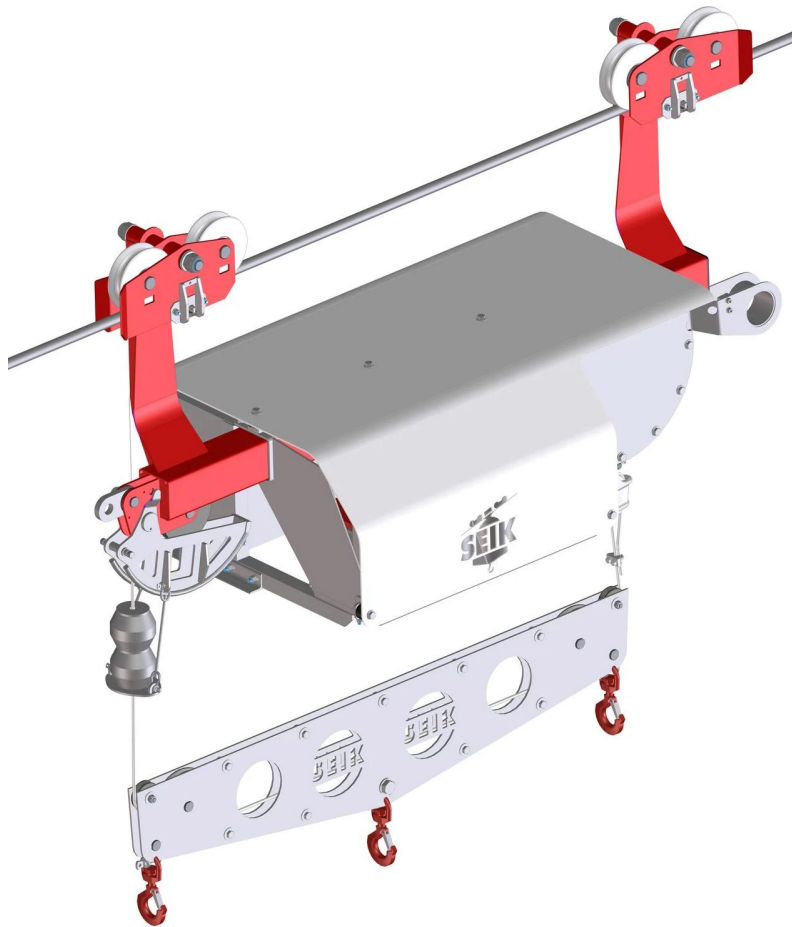




E-Bull

ADD
WINGS
TO YOUR
WORK





Areas of application



LOGISTICS



CONSTRUCTION

E-Bull

KEY STRENGTHS



CONSTRUCTION QUALITY



RADIO-CONTROLLED



LOAD VERSATILITY



FULLY ELECTRIC

MAIN FEATURES

Technical Features

Engine	Electric
--------	----------

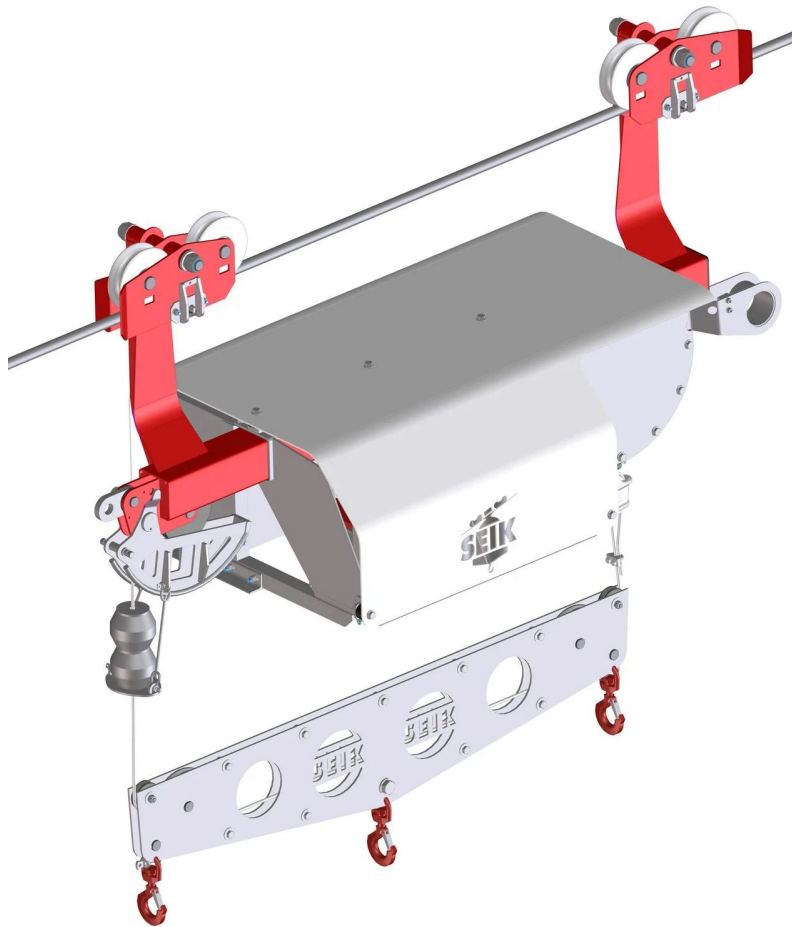
Performance

Lifting speed (m/s)	Up to 0,5
---------------------	-----------

Payload (kN)	5
--------------	---

Control System

Technology	Radio Control
------------	---------------



E-Bull

KEY STRENGTHS



CONSTRUCTION QUALITY



RADIO-CONTROLLED



LOAD VERSATILITY



FULLY ELECTRIC

POWER SUPPLY

Lifting unit with integrated batteries recharged through the pulling rope

LOAD MANAGEMENT

Load management completely independent of carriage movement

CONSTRUCTION SITE SETUP

Balance beam for double traction with load limitation

IDEAL FOR LIGHT LOADS

Lifts and transports up to 500 kg with integrated beam for double traction



Transport by Rope - design, production, sale and rental of ropeways, winches and cable cranes

Seik Srl
Via Dolomiti 46
I - 39040 Trodena (BZ)
Tel. +39 0471 887 087
E-Mail: info@seik.it
www.seik.it

