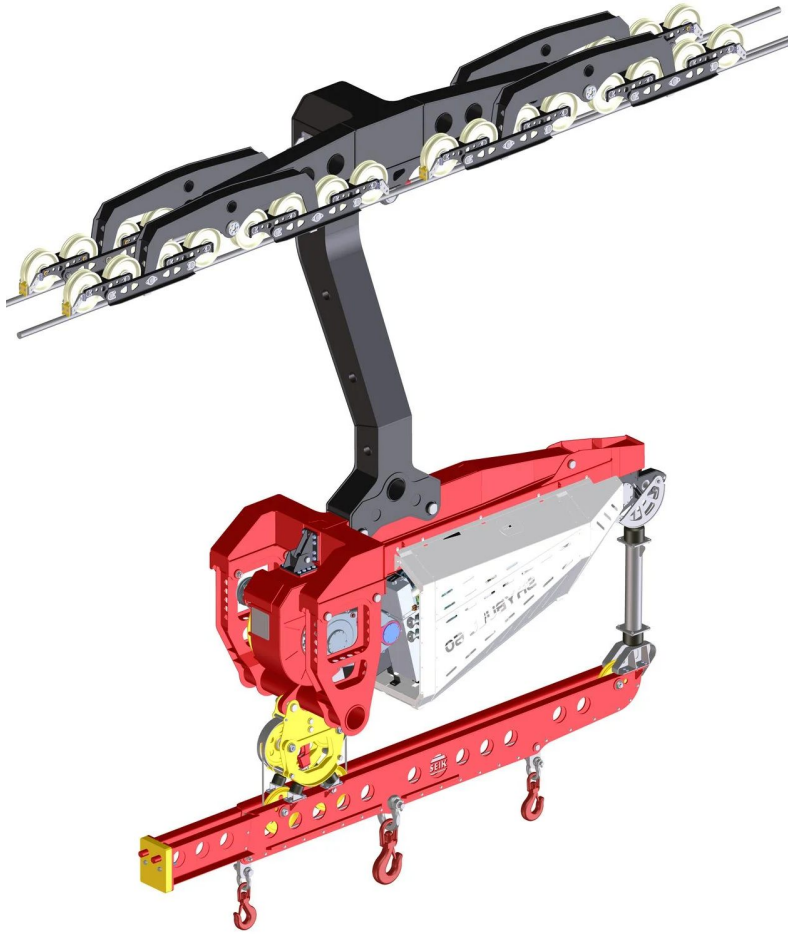




Skybull 60

**ADD
WINGS
TO YOUR
WORK**





Skybull 60

KEY STRENGTHS



CONSTRUCTION QUALITY



RADIO-CONTROLLED



MODULARITY



LOAD VERSATILITY

MAIN FEATURES

Technical Features

Weight - machine body (kg)	3000
Dimensions - machine body (mm)	4300 x 1000 x 2000
Engine	Diesel Turbo - Stage V
Hoisting cable length (m)	200
Hoisting cable diameter (mm)	16

Performance

Lifting speed (m/s)	Up to 4
Payload single traction (kN)	60
Payload double traction (kN)	120
Payload quadruple traction (kN)	240

Control System

Technology	Radio Control
------------	---------------

Areas of application



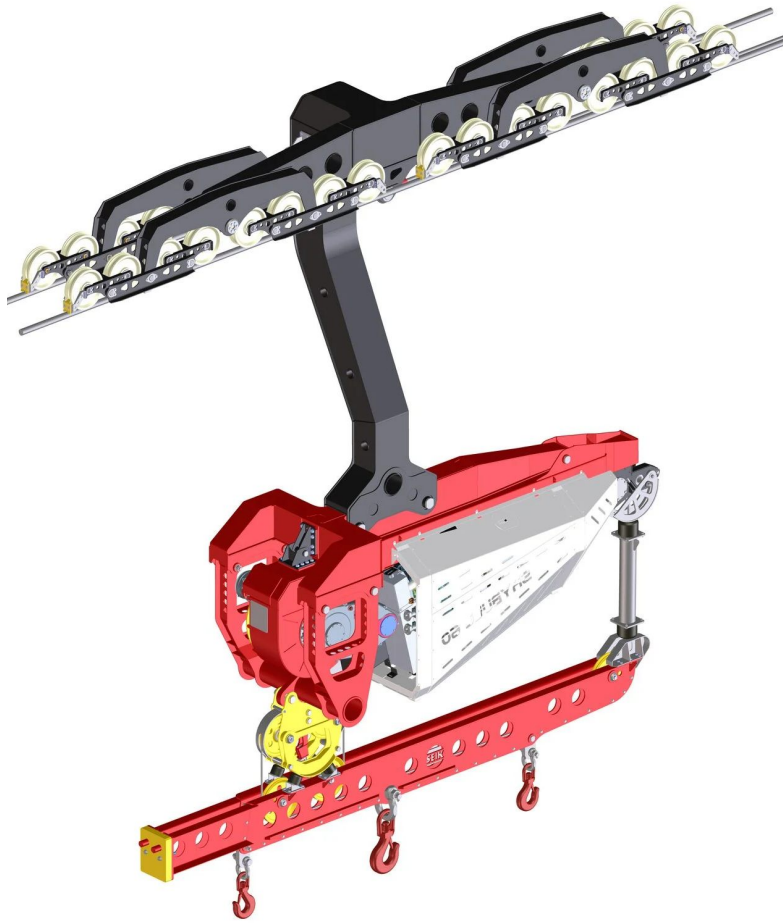
EXTRACTIVE INDUSTRY



ENERGY SECTOR



CONSTRUCTION



Skybull 60

KEY STRENGTHS



CONSTRUCTION QUALITY



RADIO-CONTROLLED



MODULARITY



LOAD VERSATILITY

LOAD SAFETY

A dual braking system, consisting of a service brake and an emergency brake

LOAD MANAGEMENT

Load management completely independent of carriage movement

CONSTRUCTION SITE SETUP

Balance beam for double / fourfold traction with load limitation

HIGH LIFTING CAPACITY

Transport capability up to 24t with balance beam and special travelling gears

ADVANCED ROPE CONTROL

Electronics monitor position, drum status and prevent winding errors



Accessories

Skybull 60

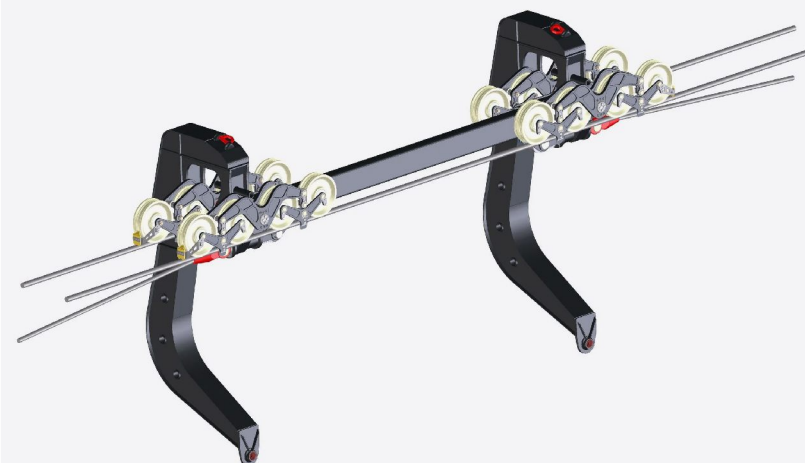
2S Suspension



Recommended for:

- ✓ Higher load requirements
- ✓ Better load distribution on the rope

3S Suspension



Recommended for:

- ✓ Higher load requirements
- ✓ High wind speeds

Additional features:

- ✓ Greater stability of the traction rope
- ✓ 500 mm distance between suspension rope



Transport by Rope - design, production, sale and rental of ropeways, winches and cable cranes

Seik Srl
Via Dolomiti 46
I - 39040 Trodena (BZ)
Tel. +39 0471 887 087
E-Mail: info@seik.it
www.seik.it

