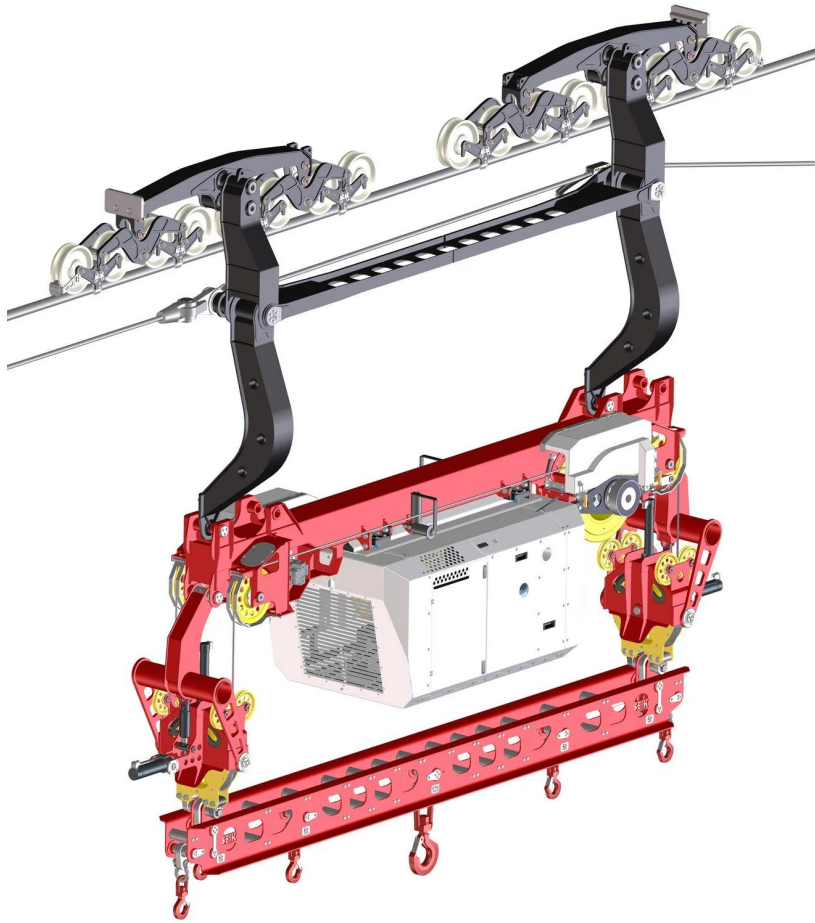




# Skybull 2.60

**ADD  
WINGS  
TO YOUR  
WORK**





# Skybull 2.60

## KEY STRENGTHS



CONSTRUCTION QUALITY



RADIO-CONTROLLED



MODULARITY



LOAD VERSATILITY

## MAIN FEATURES

### Technical Features

Weight - machine body (kg)	3500
Dimensions - machine body (mm)	6100 x 3000 x 1250
Engine	Diesel Turbo - Stage V
Maximum lifting height (m)	80
Hoisting cable diameter (mm)	12

### Performance

Lifting speed (m/s)	Up to 2
Payload per hoisting winch (kN)	60
Payload total (kN)	120

### Control System

Technology	Radio Control
------------	---------------

## Areas of application



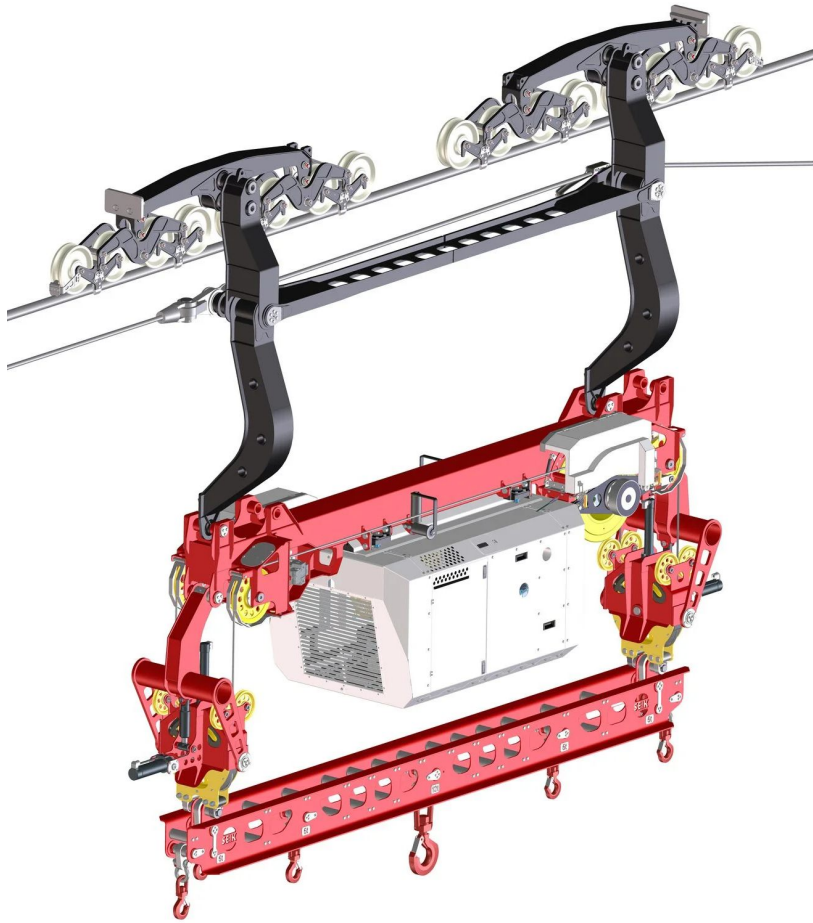
EXTRACTIVE INDUSTRY



ENERGY SECTOR



CONSTRUCTION



# Skybull 2.60

## KEY STRENGTHS



CONSTRUCTION QUALITY



RADIO-CONTROLLED



MODULARITY



LOAD VERSATILITY

### LOAD SAFETY

A dual braking system, consisting of a service brake and an emergency brake

### LOAD MANAGEMENT

Load management completely independent of carriage movement

### CONSTRUCTION SITE SETUP

Balance beam for double traction with load limitation

### TILT CONTROL

Two independent drums control the tilt, ideal for containers and buckets with automatic discharge

### TILT SAFETY

Electronics monitor the tilt of the balance beam, limiting hazardous situations



## Accessories

# Skybull 2.60

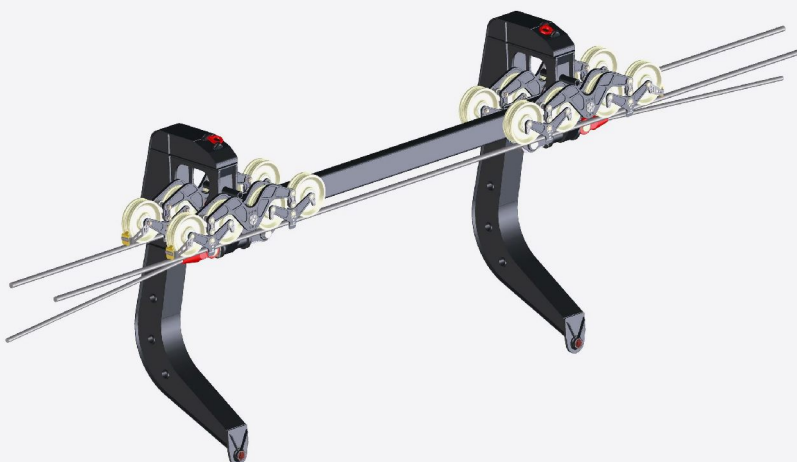
### 2S Suspension



Recommended for:

- ✓ Higher load requirements
- ✓ Better load distribution on the rope

### 3S Suspension



Recommended for:

- ✓ Higher load requirements
- ✓ High wind speeds

Additional features:

- ✓ Greater stability of the traction rope
- ✓ 500 mm distance between suspension rope



**Transport by Rope - design, production, sale and rental of ropeways, winches and cable cranes**

Seik Srl  
Via Dolomiti 46  
I - 39040 Trodena (BZ)  
Tel. +39 0471 887 087  
E-Mail: [info@seik.it](mailto:info@seik.it)  
[www.seik.it](http://www.seik.it)

