

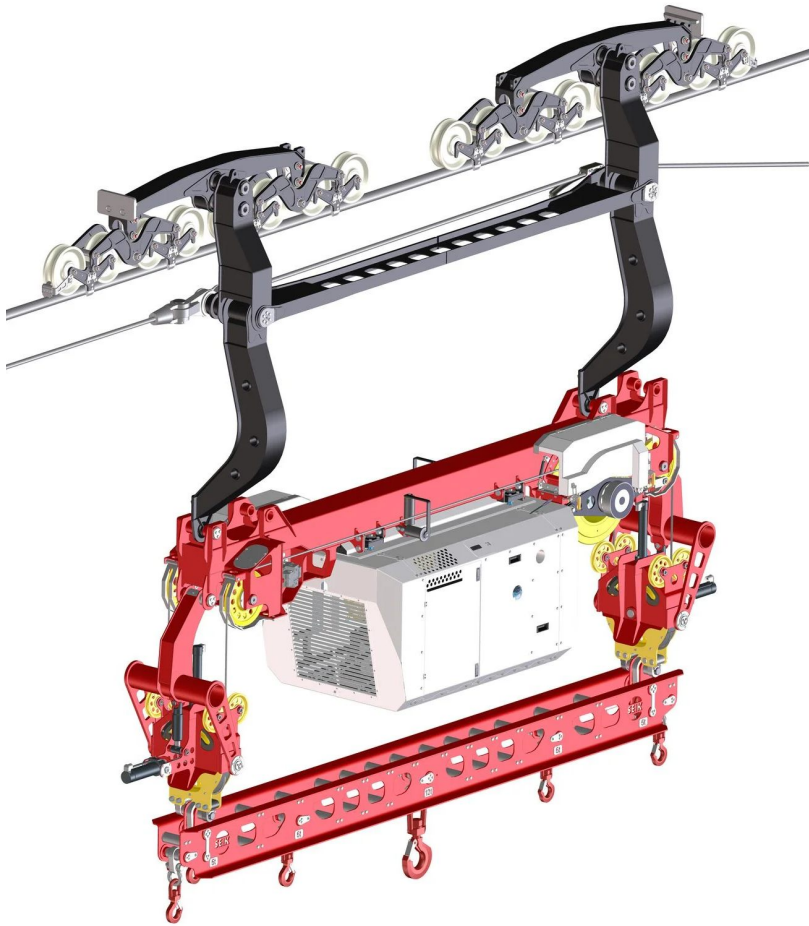


Skybull 2.80

**ADD
WINGS
TO YOUR
WORK**



SEIK



Skybull 2.80

KEY STRENGTHS



CONSTRUCTION QUALITY



RADIO-CONTROLLED



MODULARITY



LOAD VERSATILITY

MAIN FEATURES

Technical Features

Weight - machine body (kg)	3800
Dimensions - machine body (mm)	6600 x 3100 x 1350
Engine	Diesel Turbo - Stage V
Maximum lifting height (m)	100
Hoisting cable diameter (mm)	14

Performance

Lifting speed (m/s)	Up to 2
Payload per hoisting winch (kN)	80
Payload total (kN)	160

Control System

Technology	Radio Control
------------	---------------

Areas of application



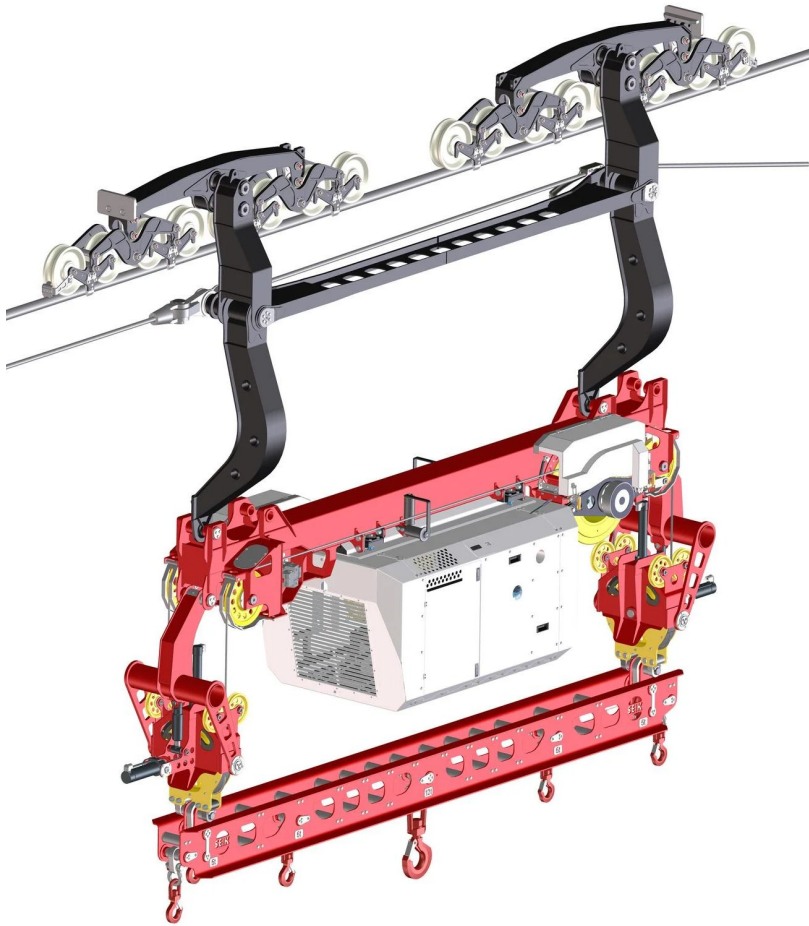
EXTRACTIVE INDUSTRY



ENERGY SECTOR



CONSTRUCTION



Skybull 2.80

KEY STRENGTHS



CONSTRUCTION QUALITY



RADIO-CONTROLLED



MODULARITY



LOAD VERSATILITY

LOAD SAFETY

A dual braking system, consisting of a service brake and an emergency brake

LOAD MANAGEMENT

Load management completely independent of carriage movement

CONSTRUCTION SITE SETUP

Balance beam for double traction with load limitation

TILT CONTROL

Two independent drums control the tilt, ideal for containers and buckets with automatic discharge

TILT SAFETY

Electronics monitor the tilt of the balance beam, limiting hazardous situations



Accessories

Skybull 2.80

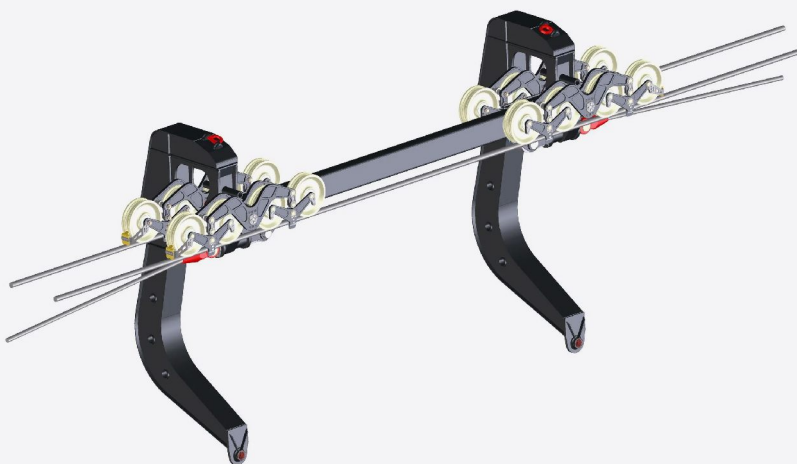
2S Suspension



Recommended for:

- ✓ Higher load requirements
- ✓ Better load distribution on the rope

3S Suspension



Recommended for:

- ✓ Higher load requirements
- ✓ High wind speeds

Additional features:

- ✓ Greater stability of the traction rope
- ✓ 500 mm distance between suspension rope



Transport by Rope - design, production, sale and rental of ropeways, winches and cable cranes

Seik Srl
Via Dolomiti 46
I - 39040 Trodena (BZ)
Tel. +39 0471 887 087
E-Mail: info@seik.it
www.seik.it

